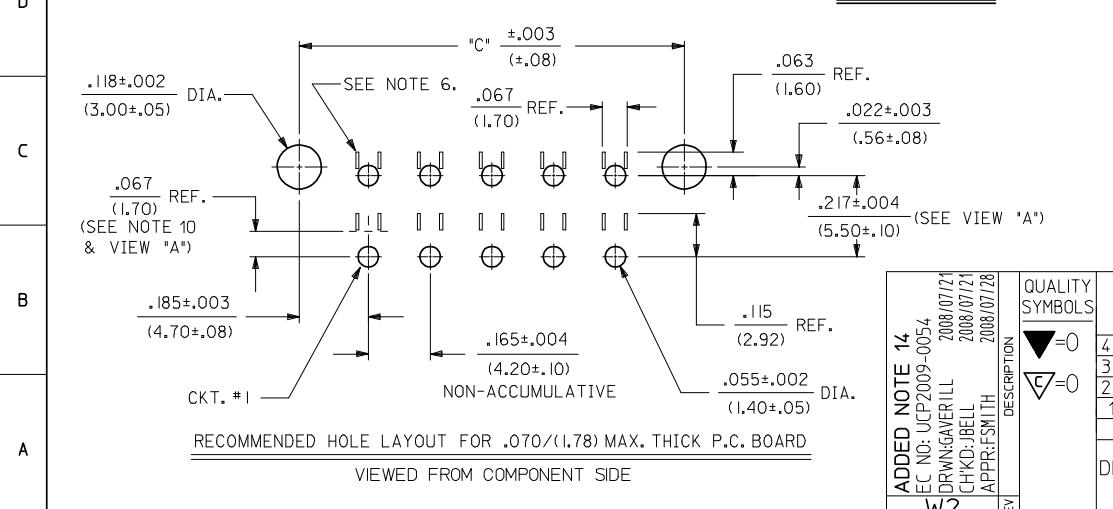


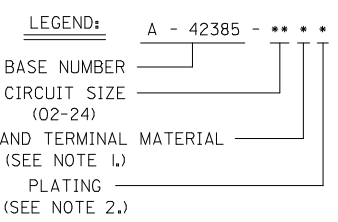
**NOTES:**

- 1) HOUSING AND TERMINAL MATERIAL:
    - A - HOUSING: NYLON 6/6, U.L. 94V-2, COLOR: NATURAL. TERMINAL: BRASS, ALLOY 260.
    - B - HOUSING: NYLON 6/6, U.L. 94V-0, COLOR: NATURAL. TERMINAL: BRASS, ALLOY 260.
    - C - HOUSING: NYLON 6/6, U.L. 94V-2, COLOR: NATURAL. TERMINAL: PHOS. BRONZE, ALLOY 510.
    - D - HOUSING: NYLON 6/6, U.L. 94V-0, COLOR: NATURAL. TERMINAL: PHOS. BRONZE, ALLOY 510.
  - 2) TERMINAL PLATING:
    - 1 - .000100/(.00254) MIN. BRIGHT TIN OVER .000050/(.00127) MIN. NICKEL.
    - \*2 - .000030/(.00076) MIN. SELECT GOLD AND .000100/(.00254) MIN. SELECT MATTE TIN OVER .000050/(.00127) MIN. NICKEL OVERALL.
    - \*3 - .000100/(.00254) MIN. TIN OVER .000050/(.00127) MIN. NICKEL.
    - \*4 - .000050/(.00127) MIN. SELECT GOLD AND .000100/(.00254) MIN. SELECT MATTE TIN OVER .000050/(.00127) MIN. NICKEL OVERALL.
  - 3) PRODUCT SPECIFICATION AND PROCESSING PARAMETERS: PS-5556-002.
  - 4) TRAY PACK PER PK-42385-999.
  - 5) PART MATES WITH MINI-FIT B.M.I. PLUG #42475 AND HEADERS 42404,42440,43879, AND 44068.
  - 6) PHANTOM LINES INDICATE AREAS WHERE TERMINAL STANDOFFS CONTACT P.C. BOARD.
- ⚠️ A MAXIMUM TOLERANCE OF .050/(1.27) ALLOWS FOR 2 POINTS OF ELECTRICAL CONTACT. A MAXIMUM TOLERANCE OF .020/(.51) ALLOWS FOR 4 POINTS OF CONTACT.  
 8) .016 IN/IN OR .016 MM/MM MAX. BOW ALLOWABLE AT DATUM [-C-].  
 9) PART ALLOWS FOR UP TO .100/(2.54) MISALIGNMENT WITH MATING CONNECTOR.  
 ⚠️ DIMENSION TO BE USED FOR ALIGNMENT OF CIRCUIT #1 OF MATING CONNECTOR  
 11) CONNECTOR ASSEMBLIES ARE NOT TO BE MATED OR UNMATED WHILE CIRCUITS ARE LIVE.  
 12) PARTS NOT DESIGNED FOR CURRENT SHARING.  
 13) WHEN THIS PRODUCT IS USED IN A BLIND MATING APPLICATION, THE SYSTEM LEVEL DESIGN MUST INCORPORATE GUIDANCE SO THE CONNECTORS ARE WITHIN THE CAPTURE ENVELOPE OF THE FLANGES ON THE HEADER OR PLUG HOUSING AND CAN THUS ALIGN THEMSELVES AS THEY COME TOGETHER. FLOAT IS ALSO REQUIRED IN THE OVERALL DESIGN TO ALLOW THE PCB RECEPTACLE OR ITS MATE TO MOVE INTO A STRESS-FREE POSITION AFTER MATING.  
 14) PARTS CONFORM TO CLASS 'B' REQUIREMENTS OF COSMETIC SPECIFICATION PS-45499-002.

CIRCUIT SIZE	DIM. "A"	DIM. "B"	DIM. "C"
2	—	.21 (5.4)	.370 (9.40)
4	.165 (4.20)	.38 (9.6)	.535 (13.60)
6	.331 (8.40)	.54 (13.8)	.701 (17.80)
8	.496 (12.60)	.71 (18.0)	.866 (22.00)
10	.661 (16.80)	.87 (22.2)	1.031 (26.20)
12	.827 (21.00)	1.04 (26.4)	1.197 (30.40)
14	.992 (25.20)	1.20 (30.6)	1.362 (34.60)
16	1.157 (29.40)	1.37 (34.8)	1.528 (38.80)
18	1.323 (33.60)	1.54 (39.0)	1.693 (43.00)
20	1.488 (37.80)	1.70 (43.2)	1.858 (47.20)
22	1.654 (42.00)	1.87 (47.4)	2.024 (51.40)
24	1.819 (46.20)	2.03 (51.6)	2.189 (55.60)



**VIEW "A"**



4	W
3	W
2	W1
1	W2
SHEET REV	

<b>ADDED NOTE 14</b> EC NO: UCP2009-0054 DRWN: GAVRILL 2008/07/21 CHKD: JIBELL 2008/07/21 APPR: FSMITH 2008/07/28 W2	QUALITY SYMBOLS ▽=0 ▽=0	GENERAL TOLERANCES (UNLESS SPECIFIED) <table border="1"> <tr> <th></th> <th>mm</th> <th>INCH</th> </tr> <tr> <td>4 PLACES</td> <td>± .005</td> <td>± .0005</td> </tr> <tr> <td>3 PLACES</td> <td>± .005</td> <td>± .0010</td> </tr> <tr> <td>2 PLACES</td> <td>± 0.25</td> <td>± .015</td> </tr> <tr> <td>1 PLACE</td> <td>± 0.38</td> <td>± .015</td> </tr> </table> ANGULAR ± 5 °		mm	INCH	4 PLACES	± .005	± .0005	3 PLACES	± .005	± .0010	2 PLACES	± 0.25	± .015	1 PLACE	± 0.38	± .015	DIMENSION STYLE <b>IN/MM</b>	SCALE <b>4:1</b>	DESIGN UNITS <b>METRIC</b>	THIRD ANGLE PROJECTION
				mm	INCH																
4 PLACES	± .005	± .0005																			
3 PLACES	± .005	± .0010																			
2 PLACES	± 0.25	± .015																			
1 PLACE	± 0.38	± .015																			
DRAWN BY RJJ 1988/12/09	CHECKED BY JTR 1988/12/09	APPROVED BY RAS 1988/12/09	TITLE <b>RECEPTACLE HEADER ASSY          MINI-FIT SERIES          BLIND MATE</b>	MOLEX <b>MOLEX INCORPORATED</b>	DOCUMENT NO. <b>SDA-42385-*</b>	SHEET NO. <b>1 OF 4</b>															

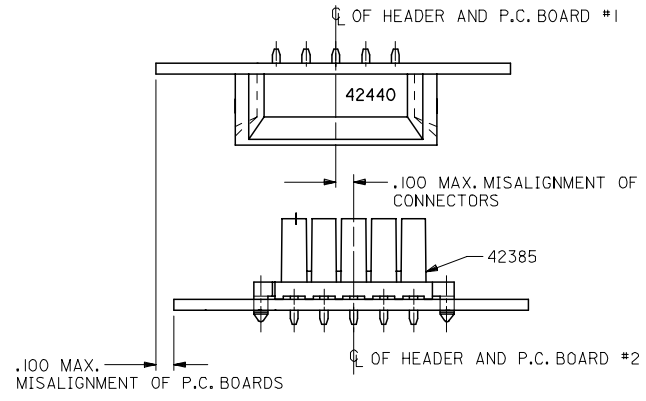
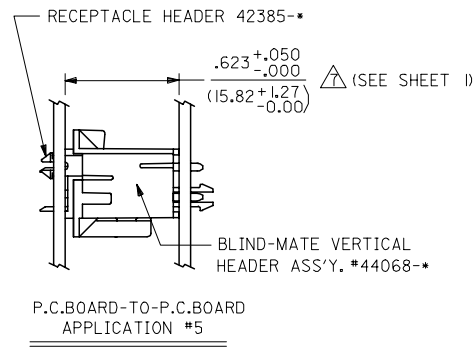
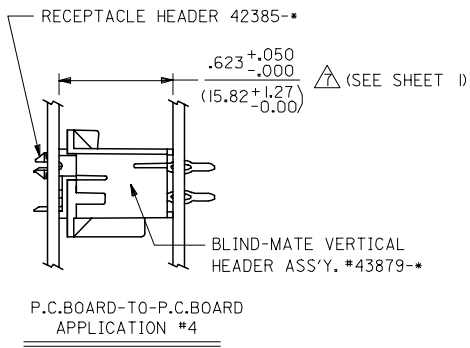
DRAFT WHERE APPLICABLE MUST REMAIN WITHIN DIMENSIONS

THIS DRAWING CONTAINS INFORMATION THAT IS PROPRIETARY TO MOLEX INCORPORATED AND SHOULD NOT BE USED WITHOUT WRITTEN PERMISSION

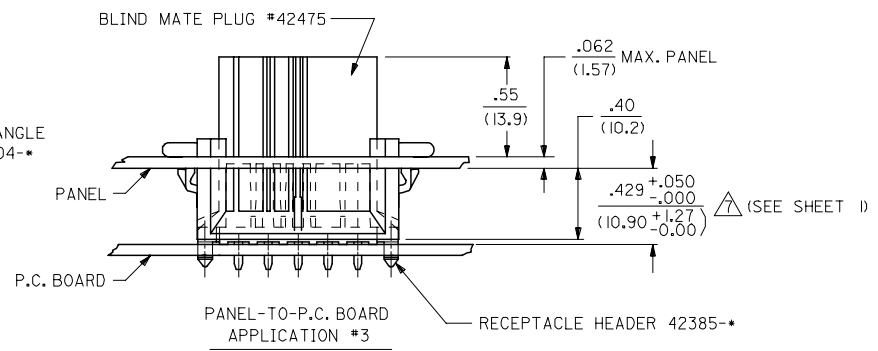
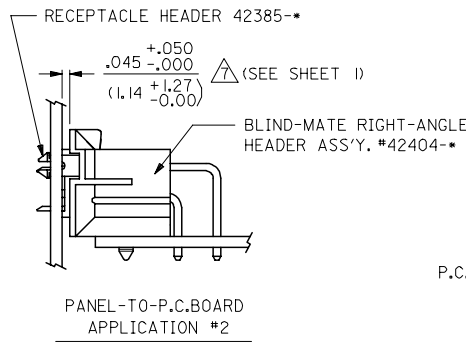
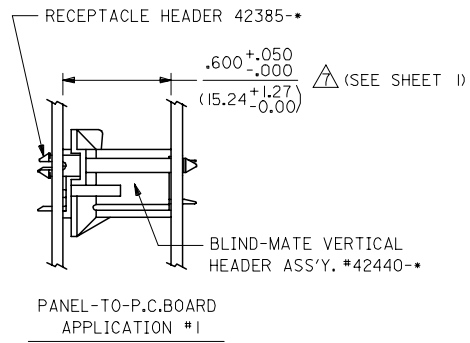
13 12 11 10 9 8 7 6 5 4 3 2 1

J  
I  
H  
G  
F  
E  
D  
C  
B  
A

J  
I  
H  
G  
F  
E  
D  
C  
B  
A



ALIGNMENT TOLERANCES FOR .100 MAX. BOARD-TO-BOARD MISALIGNMENT  
(NO CONNECTOR FLOAT)



SEE NOTE 13

SEE SHEET 1 EC NO: UCP2006-2258 DRAWN: ADRIAN L. 2006/04/11 CHKD: G. POLGAR 2006/04/11 APPR: J. COMERCIAL 2006/04/12 W1	QUALITY SYMBOLS ▽=0 ▽=0	GENERAL TOLERANCES (UNLESS SPECIFIED) mm INCH 4 PLACES ± --- ± --- 3 PLACES ± --- ± .015 2 PLACES ± 0.38 ± --- 1 PLACE ± --- ± --- ANGULAR ±1/2°	DIMENSION STYLE IN/MM DRAWN BY DATE RJF 1988/12/09 CHECKED BY DATE JTR 1988/12/09 APPROVED BY DATE RAS 1988/12/09	SCALE 4:1 DESIGN UNITS METRIC THIRD ANGLE PROJECTION
	RECEPTACLE HEADER ASSY MINI-FIT SERIES BLIND MATE			
	MATERIAL NO. SDA-42385-*			
	DRAFT WHERE APPLICABLE MUST REMAIN WITHIN DIMENSIONS SEE CHART THIS DRAWING CONTAINS INFORMATION THAT IS PROPRIETARY TO MOLEX INCORPORATED AND SHOULD NOT BE USED WITHOUT WRITTEN PERMISSION			

A	B	C	D	E	F	G	H	I	J	
	PART NUMBER	ENG. NUMBER	CKT. SIZE	HSG./TERM. MATERIAL	TERMINAL PLATING	PART NUMBER	ENG. NUMBER	CKT. SIZE	HSG./TERM. MATERIAL	TERMINAL PLATING
	NO E.D.P.	A-42385-02A1	2	94V-2/BRASS	BRIGHT TIN OVER NICKEL	NO E.D.P.	A-42385-02B1	2	94V-0/BRASS	BRIGHT TIN OVER NICKEL
	15-24-7040	-04A1	4			15-24-7041	-04B1	4		
	15-24-7060	-06A1	6			15-24-7061	-06B1	6		
	NO E.D.P.	-08A1	8			NO E.D.P.	-08B1	8		
	15-24-7100	-10A1	10			15-24-7101	-10B1	10		
	NO E.D.P.	-12A1	12			NO E.D.P.	-12B1	12		
	15-24-7140	-14A1	14			15-24-7141	-14B1	14		
	15-24-7160	-16A1	16			15-24-7161	-16B1	16		
	15-24-7180	-18A1	18			15-24-7181	-18B1	18		
	NO E.D.P.	-20A1	20			NO E.D.P.	-20B1	20		
	NO E.D.P.	-22A1	22			NO E.D.P.	-22B1	22		
	15-24-7240	A-42385-24A1	24	94V-2/BRASS	BRIGHT TIN OVER NICKEL	15-24-7241	A-42385-24B1	24	94V-0/BRASS	BRIGHT TIN OVER NICKEL
	NO E.D.P.	A-42385-02A2	2	94V-2/BRASS	30 M.I. SEL. GOLD	NO E.D.P.	A-42385-02B2	2	94V-0/BRASS	30 M.I. SEL. GOLD
	15-24-7042	-04A2	4			15-24-7043	-04B2	4		
	15-24-7062	-06A2	6			15-24-7063	-06B2	6		
	NO E.D.P.	-08A2	8			NO E.D.P.	-08B2	8		
	15-24-7102	-10A2	10			15-24-7103	-10B2	10		
	NO E.D.P.	-12A2	12			NO E.D.P.	-12B2	12		
	15-24-7142	-14A2	14			15-24-7143	-14B2	14		
	15-24-7162	-16A2	16			15-24-7163	-16B2	16		
	15-24-7182	-18A2	18			15-24-7183	-18B2	18		
	NO E.D.P.	-20A2	20			NO E.D.P.	-20B2	20		
	NO E.D.P.	-22A2	22			NO E.D.P.	-22B2	22		
	15-24-7242	A-42385-24A2	24	94V-2/BRASS	30 M.I. SEL. GOLD	15-24-7243	A-42385-24B2	24	94V-0/BRASS	30 M.I. SEL. GOLD
	NO E.D.P.	A-42385-02C1	2	94V-2/P.B.	BRIGHT TIN OVER NICKEL	NO E.D.P.	A-42385-02D1	2	94V-0/P.B.	BRIGHT TIN OVER NICKEL
	15-24-7044	-04C1	4			NO E.D.P.	-04D1	4		
	15-24-7064	-06C1	6			NO E.D.P.	-06D1	6		
	NO E.D.P.	-08C1	8			NO E.D.P.	-08D1	8		
	15-24-7104	-10C1	10			NO E.D.P.	-10D1	10		
	NO E.D.P.	-12C1	12			NO E.D.P.	-12D1	12		
	15-24-7144	-14C1	14			NO E.D.P.	-14D1	14		
	NO E.D.P.	-16C1	16			NO E.D.P.	-16D1	16		
	15-24-7184	-18C1	18			NO E.D.P.	-18D1	18		
	NO E.D.P.	-20C1	20			NO E.D.P.	-20D1	20		
	NO E.D.P.	-22C1	22			NO E.D.P.	-22D1	22		
	15-24-7244	A-42385-24C1	24	94V-2/P.B.	BRIGHT TIN OVER NICKEL	NO E.D.P.	A-42385-24D1	24	94V-0/P.B.	BRIGHT TIN OVER NICKEL
	NO E.D.P.	A-42385-02C2	2	94V-2/P.B.	30 M.I. SEL. GOLD	NO E.D.P.	A-42385-02D2	2	94V-0/P.B.	30 M.I. SEL. GOLD
	NO E.D.P.	-04C2	4			NO E.D.P.	-04D2	4		
	NO E.D.P.	-06C2	6			15-24-7067	-06D2	6		
	NO E.D.P.	-08C2	8			NO E.D.P.	-08D2	8		
	NO E.D.P.	-10C2	10			NO E.D.P.	-10D2	10		
	NO E.D.P.	-12C2	12			NO E.D.P.	-12D2	12		
	NO E.D.P.	-14C2	14			NO E.D.P.	-14D2	14		
	NO E.D.P.	-16C2	16			NO E.D.P.	-16D2	16		
	NO E.D.P.	-18C2	18			15-24-7187	-18D2	18		
	NO E.D.P.	-20C2	20			NO E.D.P.	-20D2	20		
	NO E.D.P.	-22C2	22			NO E.D.P.	-22D2	22		
	NO E.D.P.	A-42385-24C2	24	94V-2/P.B.	30 M.I. SEL. GOLD	15-24-7247	A-42385-24D2	24	94V-0/P.B.	30 M.I. SEL. GOLD

42385

W	SEE SHT. I.	K	SEE SHT. I.
V1	SEE SHT. I.	G	SEE SHT. I.
T6	SEE SHT. I.	F1	SEE SHT. I.
T4	SEE SHT. I.	E1	SEE SHT. I.
T1	SEE SHT. I.	E	SEE SHT. I.
S	SEE SHT. I.	D1	SEE SHT. I.
R3	SEE SHT. I.	A	SEE SHT. I.
LTR.	REVISIONS	LTR.	REVISIONS

DIMENSIONS SHOWN (METRIC) INCH UNLESS OTHERWISE SPECIFIED TOLERANCES: ANGULAR ± 1/2°

3 PLACE	±	---	±	---
2 PLACE	±	---	±	---
1 PLACE	---	±	---	---

DRAFT WHERE APPLICABLE MUST REMAIN WITHIN DIMENSIONS

DRWG. BY: RJF    CHK'D. BY: JTR  
 APP'D. BY: RAS    SCALE: :

THIS DRAWING CONTAINS INFORMATION THAT IS PROPRIETARY TO MOLEX INC. AND SHOULD NOT BE USED WITHOUT WRITTEN PERMISSION.

FILE NAME: 54423853.DWG  
 SHEET NO.: 3  
 DATE: 12 / 9 / 88  
 U.S.A.

MOLEX INCORPORATED

SEE CHART.    SDA-42385-\*

42385